

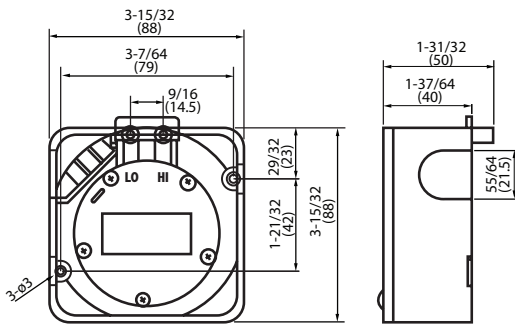
# Series S9000



## Differential Pressure BoxGauge™



### DIMENSIONS



### SPECIFICATIONS

**Media Compatibility:** Air and compatible non corrosive gases

**Accuracy:** +/- 5% F.S. at 70° F (21° C)

**Pressure Limits:** 30 PSI (2.067 bar) continuous to either pressure connection; 50 PSI (3.455 bar) surge

**Temperature Limits:** 20° to 120° F (-6.7° to 49° C)

**Process Connection:** Hi and Lo connections on the top or back for 3/16" I.D. flexible tubing

**Housing:** ABS, polycarbonate lens/cover

**Mounting:** Vertical, consult factory for other positions.

**Agency Approvals:** RoHS, CE

- Surface Mounts with included hardware - no additional brackets or kits required
- Portable - sits stable on any flat surface
- Large, easy to read 3" (76 mm) face
- Low-Cost

The Series S9000 Differential Pressure BoxGauge™ is designed for easy surface mounting. The BoxGauge™ will mount to any wall or vertical flat surface without any additional kits, special mounting brackets, or optional hardware. The box shape also allows the gauge to sit on any flat horizontal surface making it an ideal choice for portable differential pressure measurement. The large 3" gauge face is easy to read and gives an overall accuracy of 5%. Pressure connections can be made either on the top or back of the gauge with 3/16" flexible tubing.

### MODEL NUMBERS

Model Number	Pressure Range	Model Number	Pressure Range
S9000-0	0 - 0.5"	S9000-12MM	0 - 12 mm
S9001	0 - 1"	S9000-25MM	0 - 25 mm
S9002	0 - 2"	S9000-50MM	0 - 50 mm
S9003	0 - 3"	S9000-100MM	0 - 100 mm
S9005	0 - 5"		
S9010	0 - 10"	S9000-125PA	0 - 125 Pa
		S9000-250PA	0 - 250 Pa
S9000-1KPA	0 - 1 kPa	S9000-500PA	0 - 500 Pa
S9000-2KPA	0 - 2 kPa	S9000-750PA	0 - 750 Pa