

## Series A2

### Digital Differential Pressure Gauge



The series A2 is a patent pending microprocessor based digital pressure gauge for positive, negative, and differential measurement designed to be a direct replacement for mechanical gauges. The Series A2 utilize an extremely stable piezoresistive sensing technology to give a standard full scale accuracy of 1%. For applications requiring better accuracy, the A2 is also available with 0.5% accuracy. The A2 also has an optional 4-20 mA output for applications requiring an output signal. The A2 features a bright ½” LED display and process arch, which gives the gauge improved readability and precision. The A2 also features 5 user selectable engineering units including in. w.c., mm w.c., cm w.c., kPa, and Pa. The Series A2 offers an improved look, and performance compare to mechanical gauges.

#### Features

- Mounts in Industry Standard Holes
- Universal Power 16 – 265 VAC / VDC
- Accuracy 1% (better available)
- Large 0.5” LED Display
- LED Process Arch
- Weatherproof Face
- 5 selectable engineering units
- OptiLink™
- Optional 4-20 mA output

#### Applications

- Filter Status
- Duct Static Pressure
- Clean Room Pressure
- Building Pressure
- Fan and Blower Pressure
- Paint Booths
- Dust Collectors
- Glove Box Pressure
- Bubbler Systems
- Laminar Flow Hoods
- Cabinet Purging

### SPECIFICATIONS

**Maximum Pressure:** Ranges  $\leq 4''$  w.c. = 2 PSI; Ranges  $\geq 5''$  w.c. = 10 PSI

**Media compatibility:** Air and compatible non combustible, non corrosive gasses

**Accuracy\*:** Axxx0-xx - 1.00%; Axxx1-xx - 0.50%

**Temperature Ranges:**

**Compensated:** -10° to 140°F (-23° to 60°C)

**Operating:** -10° to 140°F (-23° to 60°C)

**Thermal Effect\*:** +/- 0.012% FS/°F

**Output Signal:** 4-20 mA (option)

**Loop Resistance:** 750  $\Omega$  Max (for internally sourced power); 1800  $\Omega$  Max (for externally sourced power of 36 VDC)

**Power Supply:** Universal 16-265 VAC or VDC

**Housing Material:** Glass Filled Nylon

**Enclosure Rating:** Designed to meet NEMA 4X face; with optional cover the entire product is weatherproof

**Electrical Connections:** screw terminals

**Response Time:** <100 ms

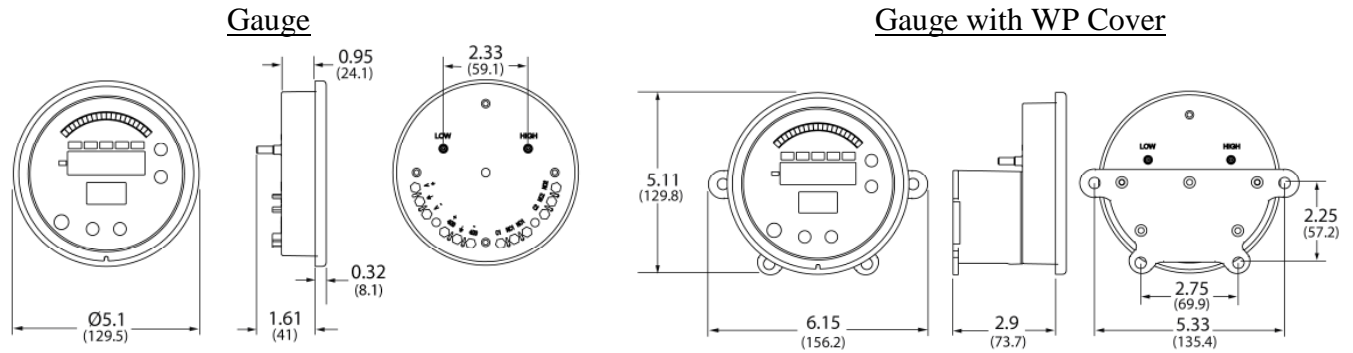
**Display:** 4 Digit, red LED, ½” digits

**Process Connection:** Push on connection for 3/16” tubing

**Agency Approvals:** Pending – UL, C-UL, CE

\* Custom calibration including improved accuracy and thermal effect are available.

## DIMENSIONAL DRAWINGS



## ORDERING INFORMATION

### Part Number Configuration

| Example:                       | A2011-03 |    |  | Description                 |
|--------------------------------|----------|----|--|-----------------------------|
| Model                          | A        |    |  | 4 1/2" Housing              |
| Display                        | 2        |    |  | LED Display w/ Process Arch |
| Function                       | 0        |    |  | Indication                  |
| Transmitter                    | 0        |    |  | None                        |
|                                | 1        |    |  | 4-20 mA                     |
| Accuracy                       | 0        |    |  | 1%                          |
|                                | 1        |    |  | 0.50%                       |
| Pressure Range*                | -        | 01 |  | 0 - 0.5"                    |
|                                | -        | 02 |  | 0 - 1"                      |
|                                | -        | 03 |  | 0 - 2"                      |
|                                | -        | 04 |  | 0 - 3"                      |
|                                | -        | 05 |  | 0 - 4"                      |
|                                | -        | 06 |  | 0 - 5"                      |
|                                | -        | 07 |  | 0 - 8"                      |
|                                | -        | 08 |  | 0 - 10"                     |
|                                | -        | 09 |  | 0 - 15"                     |
|                                | -        | 10 |  | 0 - 20"                     |
|                                | -        | 11 |  | 0 - 30"                     |
| *All ranges are bi-directional |          |    |  |                             |

Sensocn, Inc.  
 Phone: (863) 248-2800  
 Fax: (863) 248-2798

[www.sensocon.com](http://www.sensocon.com)

## ACCESSORIES

### Opti-Link™ Programming Keys



**PK-01** Universal programming key  
**PK-02** Keypad lock/unlock key

### Weather Proof/Surface Mount Cover



**A-101** Weather proof cover