



1. Specifications



Pressure Limits: -20" Hg to 15 PSI (-0.677 bar to 1.034 bar)

Media Compatibility: Air and compatible non combustible gases

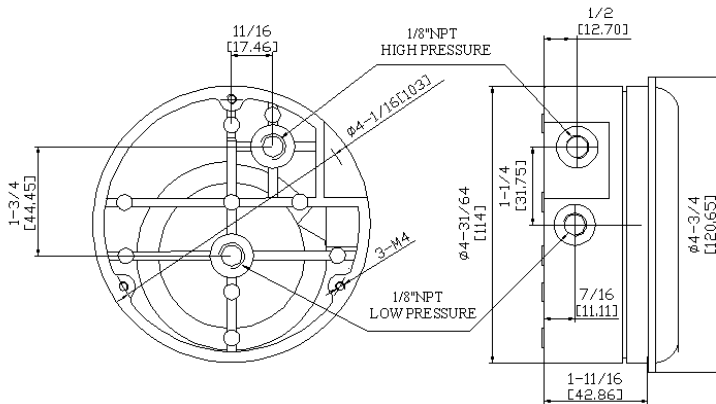
Accuracy: +/- 2% full scale (+/- 3% on -0 and +/- 4% on -00) throughout range at 70°F (21°C)

Temperature Range: 20 to 140°F (-6.7 to 60°C)

Process Connections: 1/8" female NPT. High and Low connections on back and side.

Housing: Die cast aluminum case and bezel, with acrylic cover

Weight: 1 lb 2 oz (510 g)



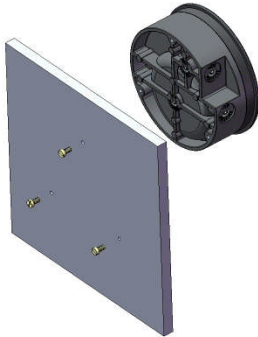
2. Installation

- Upon receipt please inspect the instrument for the intended application pressure range.
- Install the instrument in a location suitable for the specification of the gauge (listed above).
- All standard S2000 gauges are calibrated in the vertical position. To maintain the specified accuracy, the gauge must be mounted in the vertical position.

3. Mounting

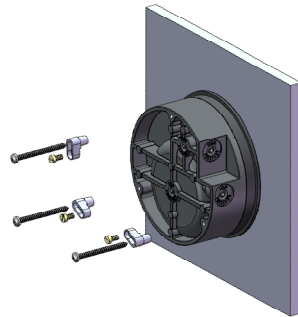
Surface Mounting

Drill 3 holes spaced equally apart on a 4 1/16" diameter circle to match the holes on the back of the gauge. Secure the gauge with 3 mounting screws of suitable length provided.



Flush or Panel Mounting

Cut an opening in the panel 4 9/16" in diameter. Put the gauge in the panel cutout, attach adapters, and use the 6 mounting screws provided to fasten the gauge to the panel.



4. Pressure Connections

The S2000 has High and Low pressure connections on both the back and side of the gauge which can be used to measure Positive, Negative, or Differential Pressure. The indicating needle will move in the positive direction if the absolute pressure of the High connection is greater than the Low connection. The indicating needle will move in the negative direction if the absolute pressure of the Low connection is greater than the High connection.

If a pressure connection is being made to either the High or the Low pressure port, the unused port (side or back) for the same connection (High or Low) must be plugged with the provided pipe plug.

If a pressure connection is being used to reference atmospheric pressure, it is not necessary to plug the corresponding unused port.

5. Zero Adjustment

Zero adjustment can be made after the installation. Use the zero adjusting screw at the bottom of the cover to zero the pointer while both the high and low pressure ports are open to atmospheric pressure.